



TABLE OF CONTENTS

3 BOX CULVERTS

5 OPSD 804.03 FLAT HEADWALL

6 OPSD 804.04 V -TYPE HEADWALL

7 OPSD 804.05 HEADWALL GRATES

8 MAINTENANCE HOLES

15 CATCH BASINS

16 REINFORCED CONCRETE PIPE

19 MUNICIPAL DRAIN PRODUCTS

22 EROSION CONTROL BLANKET

23 GEOTEXTILE

25 TERMS AND CONDITIONS

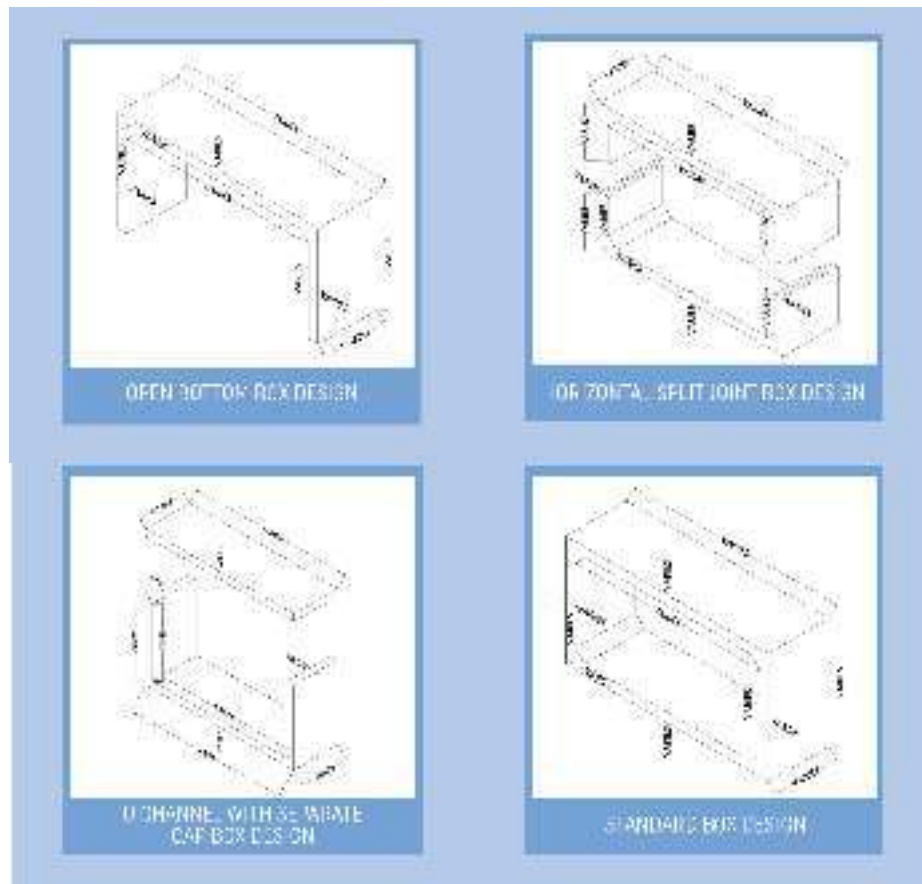


BOX CULVERTS

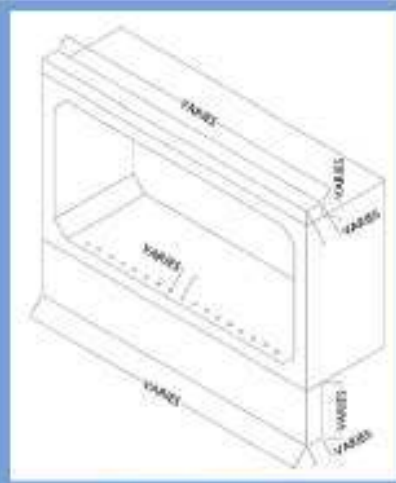
March 25, 2019 Prices and sizes

OPSS 1821	EARTH COVER (m)	WALL THICKNESS (mm)	MASS (kg/m)	PRICE / m
2400 mm x 1800 mm	0.6 - 3.6	203	4,925	\$3,158.00
NOT IN OPSS 1821 2400 mm x 1800 mm	0.0 - 0.6 0.6 - 3.6	203	4,925	\$3,952.20

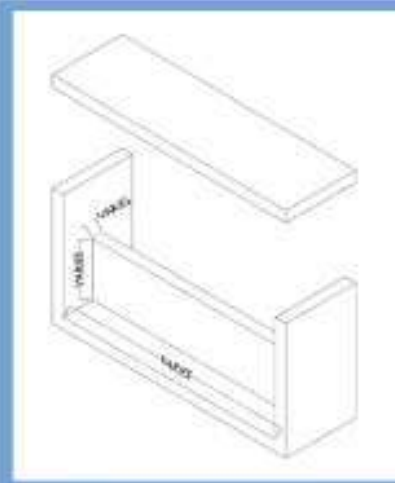
- Lay length: 2.438 m
- Butyl tape: add 5% to above price/metre
- Flush ends: \$775.10/unit
- Hole to accept MS risers: \$1,291.80 each
- Plugs & Caps: price per metre of box
- All culverts priced on a per culvert basis. Coldstream Concrete can manufacture any size and design. Contact our sales department.



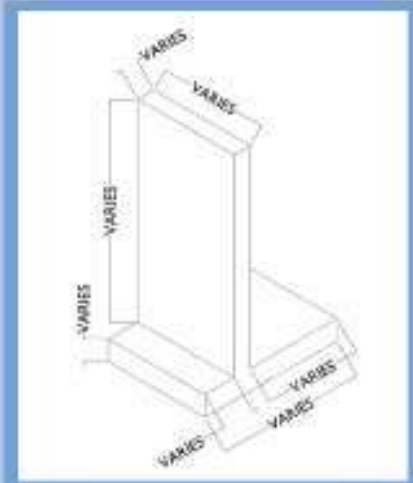
PRICES SUBJECT TO CHANGE WITHOUT NOTICE



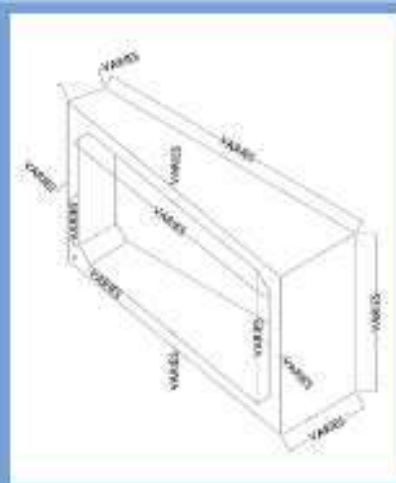
CUT-OFF WALLS AND HEADER CURBS



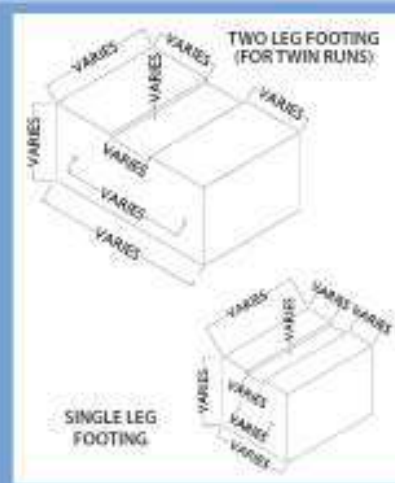
INTERNAL WALLS



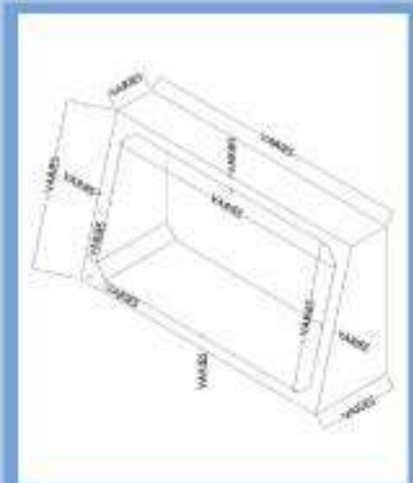
RETAINING WALLS



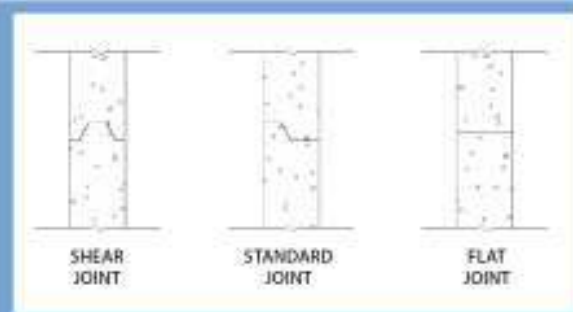
SKewed ENDS



PRECAST FOOTINGS



SLOPED ENDS



JOINT OPTIONS

OPSD 804.03 FLAT HEADWALLS

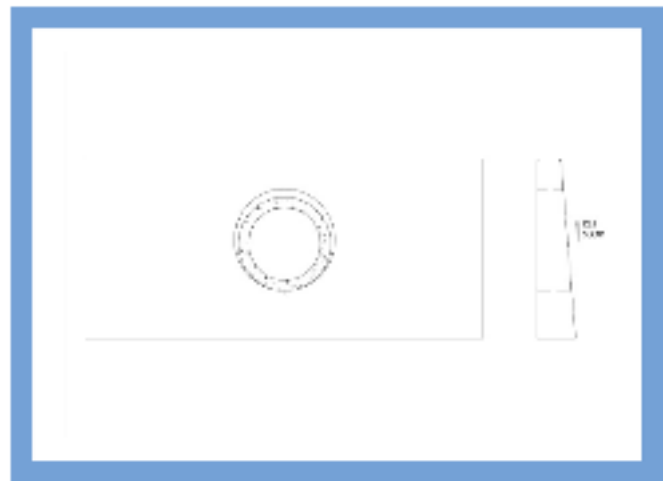
March 25, 2019 Prices and sizes

SIZE	LENGTH (m)	HEIGHT (m)	WEIGHT (kg)	PRICE
300mm	2.835	1.495	3,823	\$3,212.10
375mm	3.099	1.583	4,468	\$3,212.10
450mm	3.255	1.635	4,873	\$3,904.10
525mm	3.633	1.761	5,946	\$3,904.10
600mm	3.900	1.850	6,768	\$4,985.50
675mm	4.170	1.940	7,670	\$4,985.50
750mm	4.434	2.028	9,297	\$6,088.80
825mm	4.698	2.116	9,597	\$6,088.80

PRICES SUBJECT TO CHANGE WITHOUT NOTICE. LARGER SIZES AVAILABLE. CALL FOR PRICING.

Notes:

- Grates as per OPSD 804.05 (Grates priced separately)
- Headwalls for Elliptical Pipe and Box Structures available. Please call for pricing.
- Headwalls to suit multiple pipes available, please call for pricing
- Headwalls with specific and/or unique dimensions available. Please call for pricing
- Old Ashlar stone finish available



OPSD 804.04 V-TYPE HEADWALLS

March 25, 2019 Prices and sizes

SIZE	BOTTOM UNIT WEIGHT (approx weights in kg)	TOP UNIT WEIGHT (approx weights in kg)	PRICE
UP TO 825mm	5,589	5,411	\$15,669.40
900mm TO 1200mm	6,705	6,966	\$17,550.80
1350mm TO 1500mm	9,466	12,561	\$21,212.80
1650mm TO 1800mm	10,039	12,430	\$21,212.80
1950mm TO 2100mm	10,543	16,893	\$24,686.20
UP TO 2400mm	12,168	17,357	\$26,176.20

PRICES SUBJECT TO CHANGE LARGER SIZES AVAILABLE. CALL FOR PRICING



Notes:

- Grates as per OPSD 804.05 (Grates priced separately)
- Headwalls for Elliptical Pipe and Box Structures available. Please call for pricing.
- Headwall to suit multiple pipes is available. Please call for pricing.
- Old Ashlar stone finish available.
- Custom Chute Blocks available.

OPSD 804.05 HEADWALL GRATES

March 25, 2019 Prices and sizes

PIPE	PRICE
300mm	\$789.50
375mm	\$789.50
450mm	\$868.80
525mm	\$868.80
600mm	\$933.00
675mm	\$933.00
750mm	\$1,105.70
825mm	\$1,105.70
900mm	\$1,128.40
975mm	\$1,231.50
1050mm	\$1,401.20
1200mm	\$1,602.80
1350mm	\$1,705.60
1500mm	\$1,850.20

PRICES SUBJECT TO CHANGE WITHOUT NOTICE

MAINTENANCE HOLES

CIRCULAR VALVE CHAMBERS / PUMP CHAMBERS

OPSD 701.010

March 25, 2019 Prices and sizes

12000mm	HEIGHT (m)	WEIGHT(kg)	PRICE
MONOBASES	0.914	1,652	\$1,269.90
	1.219	2,427	\$1,504.35
	1.370	2,631	\$1,620.43
	1.524	2,469	\$1,738.81
	1.680	2,673	\$1,858.72
	1.828	2,877	\$1,972.49
BASE SLAB	0.205	759	\$601.00
RISERS	0.305 - 1.828	1,340/m	\$768.70/m
TAPERED TOP	1.19m	2,130	\$1,054.80
FLAT CAP	0.305	770	\$601.00
SAFETY LANDING (OPSD 404.020)			\$1,440.30
PREBENCHING Pipe diameter dependant			\$659.90 - \$771.80

PRICES SUBJECT TO CHANGE WITHOUT NOTICE

STANDARD STEPS INCLUDED (OPSD 405.010)

MAINTENANCE HOLES

CIRCULAR VALVE CHAMBERS / PUMP CHAMBERS

OSPD 701.011

March 25, 2019 Prices and sizes

1500mm	HEIGHT (m)	WEIGHT (kg)	PRICE
MONOBASES	1.219	3,563	\$2,619.97
	1.524	4,175	\$2,974.13
	1.828	4,785	\$3,329.45
	2.134	5,399	\$3,685.94
BASE SLAB	0.305	1,640	\$1,197.50
RISERS	0.305 - 2.438	1,935/m	\$1,165.00/m
TRANSITION	0.450	1,225	\$1,197.50
FLAT CAP (TWIN)	0.450	1,545	\$1,197.50
SAFETY LANDING (OSPD 404.020)			\$2,028.00
PREBENCHING Pipe diameter dependant	-	-	\$888.10 - \$1,056.60

PRICES SUBJECT TO CHANGE WITHOUT NOTICE
STANDARD STEPS INCLUDED (OSPD 405.010)

MAINTENANCE HOLES

CIRCULAR VALVE CHAMBERS / PUMP CHAMBERS

OPSD 701.012 - 701.013

March 25, 2019 Price and sizes

1800mm	HEIGHT (m)	WEIGHT (kg)	PRICE
BASE SLAB	0.305	2,630	\$1,614.90
RISERS	0.610 - 2.134	3,100/m	\$1,656.60/m
TRANSITION	0.450	2,450	\$1,614.90
FLAT CAP (TWIN)	0.450	2,585	\$1,614.90
SAFETY LANDING			\$2,631.00
PREBENCHING Pipe diameter dependant	-	-	\$953.30 - \$1,328.30

2400mm	HEIGHT (m)	WEIGHT (kg)	PRICE
BASE SLAB	0.305	4,480	\$3,200.00
RISERS	0.610 - 2.134	4,600	\$2,953.40/m
TRANSITION	0.450	4,220	\$3,200.00
FLAT CAP (TWIN)	0.450	4,980	\$3,200.00
SAFETY LANDING			\$4,114.90

MONOLITHIC BASES AVAILABLE CONTACT OUR SALES DEPARTMENT FOR PRICING.

PRICES SUBJECT TO CHANGE WITHOUT NOTICE

STANDARD STEPS INCLUDED (OPSD 405.010)

MAINTENANCE HOLES

CIRCULAR VALVE CHAMBERS / PUMP CHAMBERS

OPSD 701.014 - 701.015

March 25, 2019 Price and sizes

3000mm	HEIGHT (m)	WEIGHT (kg)	PRICE
BASE SLAB	0.305	6,944	\$5,389.00
RISERS	0.610 - 2.438	7,400/m	\$4,620.30/m
TRANSITION	0.450	7,945	\$5,389.00
FLAT CAP (TWIN)	0.450	7,945	\$5,389.00
SAFETY LANDING			PRICE ON REQUEST

3600mm	HEIGHT (m)	WEIGHT (kg)	PRICE
BASE SLAB	0.305	10,140	\$9,516.30
RISERS	0.610 - 2.438	10,808/m	\$10,069.20/m
TRANSITION	0.450	10,500	\$9,516.30
FLAT CAP (TWIN)	0.450	10,500	\$9,516.30
SAFETY LANDING			PRICE ON REQUEST

PRICES SUBJECT TO CHANGE WITHOUT NOTICE
STANDARD STEPS INCLUDED (OPSD 405.010)

1200mm		1500mm	
APPROX DEPTH (m)	PRICE	APPROX DEPTH (m)	PRICE
1.00	\$1,637.22	1.39	\$3,351.03
1.15	\$1,754.06	1.54	\$3,640.39
1.30	\$1,870.90	1.69	\$3,817.47
1.46	\$1,988.51	1.84	\$3,995.71
1.61	\$2,105.35	1.99	\$4,171.63
1.76	\$2,222.96	2.14	\$4,355.70
1.91	\$2,339.89	2.30	\$4,526.95
2.07	\$2,459.72	2.45	\$4,706.36
2.22	\$2,573.49	2.65	\$4,882.28
2.32	\$2,573.49	2.80	\$5,066.35
2.47	\$2,694.14	2.96	\$5,232.94
2.62	\$2,807.94	3.11	\$5,420.51
2.78	\$2,928.63	3.26	\$5,591.76
2.93	\$3,042.40	3.41	\$5,775.84
3.08	\$3,162.31	3.57	\$5,943.59
3.23	\$3,276.08	3.67	\$6,131.16
3.39	\$3,396.77	3.82	\$6,297.75
3.54	\$3,510.54	3.97	\$6,486.49
3.69	\$3,631.22	4.12	\$6,653.08
3.84	\$3,744.99	4.28	\$6,650.75
4.00	\$3,865.67	4.43	\$7,008.40
4.15	\$3,979.44	4.58	\$7,191.31
4.30	\$4,100.12	4.73	\$7,363.73
4.45	\$4,213.89	4.89	\$7,840.04
4.61	\$4,334.58	5.00	\$8,316.34
4.76	\$4,448.35	5.19	\$8,499.25
4.91	\$4,568.26	5.34	\$8,670.50
5.00	\$6,122.33	5.50	\$8,785.24
5.06	\$6,122.33	5.65	\$8,785.24
5.22	\$6,243.02	5.80	\$8,968.15
5.37	\$6,356.79	5.95	\$9,139.40
5.52	\$6,477.47	6.11	\$9,254.14
5.67	\$6,591.24	6.26	\$9,254.15
5.82	\$6,711.92	6.41	\$9,437.05
5.98	\$6,825.69	6.56	\$9,608.30
6.13	\$6,946.37	6.72	\$9,723.04
6.28	\$7,060.14	6.87	\$9,723.04
6.44	\$7,180.83	7.03	\$10,072.54
6.59	\$7,294.60		

MAINTENANCE HOLE ESTIMATING TABLES

March 25, 2019 Price and sizes

NOTES:

- Depth represents the difference between finished grade and the lowest invert elevation
- Prices are rounded to the nearest dollar
- The Estimating Table transitions to 1200mm dia. components as follows:
 - 1200mm - Flat Top to Tapered Top (cone section)
 - 1500mm - After 1.80m of headroom
 - 1800mm - After 1.80m of headroom
 - 2400mm - After 2.40m of headroom
- Prices are calculated based on the common applications and will vary with site conditions
- Prices include: Standard precast concrete components c/w steps, pipe openings, and joint gaskets. 1200mm Safety Landings, are included at 5.0m and deeper.
- Prices do NOT include: castings, grade adjustments, flexible connectors, pre-benching, sump, precast drops, and other accessories.

PRICES SUBJECT TO CHANGE WITHOUT NOTICE.

1800mm	
APPROX DEPTH (m)	PRICE
1.97	\$5,484.43
2.12	\$5,989.69
2.27	\$5,989.69
2.42	\$6,494.95
2.58	\$6,494.95
2.63	\$6,494.95
2.78	\$7,000.22
2.93	\$7,000.22
3.08	\$7,270.25
3.24	\$7,330.40
3.39	\$7,564.85
3.54	\$7,564.85
3.64	\$7,799.30
3.79	\$7,799.30
3.95	\$8,033.75
4.10	\$8,033.75
4.25	\$8,146.10
4.40	\$8,146.10
4.56	\$8,309.77
4.71	\$8,309.77
4.86	\$8,544.22
5.00	\$9,927.85
5.17	\$10,162.30
5.32	\$10,162.30
5.47	\$10,396.75
5.63	\$10,396.75
5.78	\$10,631.20
5.93	\$10,631.20
6.08	\$10,865.65
6.24	\$10,865.65
6.39	\$11,100.10
6.54	\$11,100.13
6.69	\$11,334.55
6.85	\$11,334.55
7.0	\$11,569.00
7.15	\$11,569.00
7.30	\$11,803.45

2400mm	
APPROX DEPTH (m)	PRICE
1.75	\$9,465.15
2.06	\$10,365.94
2.36	\$11,263.78
2.67	\$12,167.52
2.87	\$13,065.35
3.18	\$13,969.09
3.48	\$14,570.09
3.79	\$15,467.92
4.09	\$15,702.37
4.20	\$15,033.09
4.50	\$15,936.82
4.80	\$16,405.72
5.00	\$17,175.99
5.11	\$17,596.47
5.41	\$17,830.92
5.72	\$18,065.38
6.02	\$18,299.06
6.33	\$18,534.27
6.63	\$18,767.97
6.93	\$18,999.47
7.24	\$19,236.87
7.54	\$19,472.07
7.84	\$19,706.52

MAINTENANCE HOLE ESTIMATING TABLES

March 25, 2019 Price and sizes

NOTES:

- Depth represents the difference between finished grade and the lowest invert elevation
- Prices are rounded to the nearest dollar
- The Estimating Table transitions to 1200mm dia. components as follows:
 - 1200mm - Flat Top to Tapered Top (cone section)
 - 1500mm - After 1.80m of headroom
 - 1800mm - After 1.80m of headroom
 - 2400mm - After 2.40m of headroom
- Prices are calculated based on the common applications and will vary with site conditions
- Prices include: Standard precast concrete components c/w steps, pipe openings, and joint gaskets. 1200mm Safety Landings, are included at 5.0m and deeper.
- Prices do NOT include: castings, grade adjustments, flexible connectors, pre-benching, sump, precast drops, and other accessories.

PRICES SUBJECT TO CHANGE WITHOUT NOTICE.

BOX MAINTENANCE HOLES & UTILITY CHAMBER

March 25, 2019 Prices and sizes

2400 x 1800mm	HEIGHT (m)	WEIGHT (kg)	PRICE
FLAT CAP	0.354	4,016	\$2,864.10 each
RISERS	0.610 - 2.438	4,925/m	\$3,252.60/m
BASE SLAB	0.254	4,016	\$2,864.10 each
MB PREMIUM	-	-	\$1,790.70

NOTES

- Price includes Butyl Tape
- A minimum charge of 2m depth will apply
- Above pricing is designed to a max. depth of 7m

Utility chambers to be priced on per job basis. Coldstream Concrete can manufacture any size and design. Contact our sales department.



PRICES SUBJECT TO CHANGE WITHOUT NOTICE.

CATCH BASINS/DITCH INLETS

March 25, 2019 Prices and sizes

SIZE	OPSD NUMBER	WEIGHT (kg)	PRICE
Single Catch Basin			
600mm x 600mm	705.010	930/m	\$503.40/m
Curb Inlet Catch Basin			
600mm x 840mm	SEW 310 (City of London)	1,060/m	\$796.40/m
Twin Inlet Catch Basin			
600mm x 1450mm	705.020	1,640/m	\$976.90/m
Ditch Inlet Catch Basin			
600mm x 600mm	705.030	930/m	\$752.00/m
Ditch Inlet Catch Basin			
600mm x 1200mm Types A & B	705.040	-	\$1,167.40/m
1200mm x 1200mm	705.050	-	Prices on Request
1200mm x 1500mm			
1200mm x 1800mm			

PRICES SUBJECT TO CHANGE WITHOUT NOTICE

Catchbasin riser sections (0.150m - 0.305m) to have minimum charge of 0.457m height.

Curb Inlet Catch Basin riser section (0.150m - 0.305m) to have minimum charge of 0.457m height)

DITCH INLET OPSD 403.01 GRATING

TYPE A = \$599.10
762 x 768mm

TYPE B = \$881.70
762 x 1338mm

TYPE C = \$968.10
762mm x 1465mm

CONCRETE PIPE**REINFORCED CONCRETE PIPE**

March 25, 2019 Prices and sizes

PRICE PER METER

INSIDE DIAMETER (mm)	50-D	65-D	100-D	140-D
525	\$127.90	\$127.90	\$149.40	\$176.40
600	\$172.10	\$172.10	\$198.00	\$232.70
675	\$263.90	\$263.90	\$300.60	\$352.00
750	\$347.90	\$347.90	\$397.60	\$464.80
825	\$403.60	\$403.60	\$513.20	\$539.40
900	\$484.20	\$484.20	\$553.80	\$646.60
975	\$531.20	\$559.20	\$636.30	\$744.70
1050	\$608.30	\$638.80	\$731.50	\$852.00
1200	\$762.40	\$800.90	\$916.30	\$1,067.60
1350	\$980.50	\$1,029.40	\$1,177.60	\$1,371.50
1500	\$1,199.30	\$1,258.60	\$1,438.90	\$1,678.60

PRICES INCLUDE A PRE-LUBRICATED RUBBER GASKET**PRICING SUBJECT TO CHANGE WITHOUT NOTICE**

INSIDE DIAMETER (mm)	OUTSIDE DIAMETER (mm)	WALL THICKNESS (mm)	LAY LENGTH (m)	MASS / PIECE (kg)	TRUCKLOAD LOTS (pcs)
525	711	89	2.438	1,061	32
600	800	95	2.438	1,276	29
675	889	102	2.438	1,530	22
750	978	108	2.438	1,682	19
825	1,068	114	2.438	2,094	17
900	1,156	121	2.438	2,160	15
975	1,245	127	2.438	2,818	12
1050	1,334	133	2.438	2,755	11
1200	1,511	146	2.438	3,441	9
1350	1,689	159	2.438	4,728	8
1500	1,828	152	2.438	4,964	6

CONCRETE PIPE

TEE (90°) AND WYE (45°) BRANCHES

March 25, 2019 Prices and sizes

SIZE	MAIN PIPE SIZE			
	300-525	600-825	900-1200	1350-1500
100	\$149.90	\$157.60	\$200.90	\$272.50
125	\$164.60	\$172.40	\$220.60	\$298.50
150	\$181.40	\$190.70	\$242.90	\$329.50
200	\$241.90	\$254.20	\$324.20	\$439.40
250	\$271.10	\$284.30	\$362.70	\$491.90
300	\$368.90	\$522.40	\$677.90	\$960.50
375	\$446.10	\$597.50	\$804.60	\$1,127.20
450	\$545.50	\$675.40	\$884.80	\$1,207.30
525	\$589.10	\$696.50	\$906.80	\$1,229.30
600	-	\$871.50	\$1,086.50	\$1,409.20
675	-	\$1,240.50	\$1,407.10	\$1,730.10
750	-	\$1,602.00	\$1,746.80	\$2,069.20
825	-	\$1,832.60	\$1,954.90	\$2,277.90
900	-	-	\$2,273.40	\$2,596.20
975	-	-	\$2,588.40	\$2,884.80
1050	-	-	\$2,939.90	\$3,206.80
1200	-	-	\$3,627.80	\$3,850.20
1350	-	-	-	\$4,801.00
1500	-	-	-	\$5,798.00

To calculate the price of a TEE or WYE branch, multiply the price per meter of the main pipe by its length and add the corresponding price for the required branch as listed above.

NOTES

Scribed holes - Up to 1200mm \$107.70, 1500mm and over \$215.20 each.

Maintenance hole TEES are calculated the same as pipe TEES.

Maximum branch size for 45 degree WYE is 1050mm.

Branches 375mm and larger are for concrete pipe only.

Branches 300mm and smaller are for concrete or smooth wall PVC pipe.

Special angle branches can be manufactured upon request.

PRICES SUBJECT TO CHANGE WITHOUT NOTICE

REDUCERS & INCREASERS

1. 300 TO 1500 mm reinforced pipe REDUCER or INCREASER

Multiply the price per meter of the larger pipe x 6.5

CONCRETE PIPE

CONCRETE PLUGS & CAPS

March 25, 2019 Prices and sizes

INSIDE DIAMETER (mm)	MASS (kg) PLUG	MASS (kg) CAP	PRICE PER PIECE
525	69	270	\$176.40
600	86	325	\$232.70
675	106	384	\$352.00
750	130	472	\$464.80
825	154	527	\$539.40
900	180	618	\$646.60
975	865	720	\$744.70
1050	898	898	\$852.00
1200	1168	1168	\$1,067.60
1350	1572	1239	\$1,371.50
1500	1908	1440	\$1,678.60

CONCRETE PIPE BENDS

INSIDE DIAMETER (mm)	50-D	65-D	100-D	140-D	MAX ANGLE
525	\$691.00	\$691.00	\$807.90	\$951.50	90
600	\$878.20	\$878.20	\$1,008.50	\$1,186.60	90
675	\$1,320.10	\$1,320.10	\$1,503.20	\$1,760.00	90
750	\$1,740.10	\$1,740.10	\$1,989.30	\$2,324.10	90
825	\$2,017.60	\$2,017.60	\$2,565.80	\$2,696.90	90
900	\$2,418.70	\$2,418.70	\$2,767.40	\$3,230.20	90
975	\$2,656.00	\$2,797.10	\$3,181.90	\$3,721.60	90
1050	\$3,041.20	\$3,194.60	\$3,656.90	\$4,260.50	90
1200	\$3,810.80	\$4,003.90	\$4,581.20	\$5,338.70	90
1350	\$4,904.00	\$5,146.70	\$5,888.10	\$6,857.70	90
1500	\$5,995.30	\$6,291.50	\$7,194.50	\$8,393.50	84

PRICES SUBJECT TO CHANGE WITHOUT NOTICE

MUNICIPAL DRAIN CATCH BASINS

March 25, 2019 Prices and sizes

2X2 CATCH BASIN RISER AND BASES

SIZE	PRICE
0.152m (6")	\$97.35
0.305m (12")	\$102.75
0.457m (18")	\$103.85
0.610m (2')	\$138.50
0.762m (2.5')	\$173.00

SIZE	PRICE
0.914m (3')	\$201.15
1.067m (3.5')	\$242.25
1.219m (4')	\$276.90
1.371m (4.5')	\$311.50
1.524m (5')	\$346.00

3X4 CATCH BASIN RISER AND BASES

SIZE	PRICE
0.152m (6")	\$167.65
0.305m (12")	\$167.65
0.457m (18")	\$235.20
0.610m (2')	\$313.75
0.762m (2.5')	\$395.30

SIZE	PRICE
0.914m (3')	\$470.50
1.067m (3.5')	\$548.90
1.219m (4')	\$627.00

PRICES SUBJECT TO CHANGE WITHOUT NOTICE

DRAIN TILE PRICE LIST

March 25, 2019 Prices and sizes

PRICE PER METER

SIZE	LENGTH (m)	EXTRA QUALITY HEAVY DUTY	2000D	2400D
200mm	.762 SHORT	\$10.64	N/A	N/A
200mm	1.25 LONG	\$11.72	\$12.29	\$16.45
250mm	.762 SHORT	\$12.65	N/A	N/A
250mm	1.25 LONG	\$13.73	\$14.39	\$21.32
300mm	1.25	\$15.84	\$17.05	\$34.97
350mm	1.25	\$18.70	\$20.57	\$39.09
400mm	1.25	\$22.33	\$24.55	\$43.16
450mm	1.25	\$27.52	\$30.27	\$44.50
525mm	1.25	\$34.55	\$37.99	\$48.51
600mm	1.25	\$44.71	\$49.18	\$69.73
675mm	1.25	\$59.05	\$64.95	\$106.91
750mm	1.22	\$74.62	\$82.08	\$140.95
825mm	2.44	\$101.97	\$111.24	\$163.51
900mm	1.95	\$134.10	\$147.19	\$196.25

PRICES SUBJECT TO CHANGE WITHOUT NOTICE

CATCHBASIN GRATES

March 25, 2019 Prices and sizes

SIZE AND TYPE	PRICE	CONTRACTOR
600 X 600 LIGHT DUTY	\$200.00	\$175.00
600 X 600 HEAVY	\$275.00	\$240.00
600 X 600 BIRDCAGE	\$245.00	\$235.00
600 X 900 BIRDCAGE	\$375.00	\$315.00
900 X 1200 BIRDCAGE	\$445.00	\$345.00
1200 X 1800 BIRDCAGE	\$1,025.00	\$820.00

DRAIN WRAP

SIZE	PRICE
300mm	\$0.59 Per lineal meter
400mm	\$0.69 Per lineal meter

PRICES SUBJECT TO CHANGE WITHOUT NOTICE

EROSION CONTROL BLANKET COMMON USE

S31 (100% straw single nylon net) Shear: 1.55 lbs/sq ft, less than 3:1 slop, expected longevity 12 months. Use for ditch banks no more than 3 widths deep or larger flat areas, golf course, residential lawns & landfill caps.

S32 (100% straw double nylon net) Shear: 1.75 lbs/sq ft, less than 2:1 slope, expected longevity 12 months. Use for highways, mines, pipeline, woodlands, golf courses, and landfill caps.

SC32 (70% straw & 30% coconut double nylon net) Shear: 2.0 lbs/sq ft, less than 0:5:1 slope, expected longevity 24 months. Use for steeper slopes, landfills, and moderate drainage swales.

P42 (100% polypropylene fiber matrix polypropylene centre net) Shear 3.07 sq ft, less than 0:5:1 slope, permanent. Extreme high flow channels, shorelines, severe slopes & spillways.

EROSION CONTROL BLANKET

March 25, 2019 Prices and sizes

PER ROLL PRICE

SIZE	PRICE 1-10 ROLLS	PRICE 10-20 ROLLS	PRICE 20-50 ROLLS
S31 Single Net Straw 2.44 x 34.3 m	\$62.00	\$54.25	\$48.05
S32 Double Net Straw 2.44 x 34.3 m	\$76.00	\$66.50	\$55.90
SC32 Double Net Straw / Coconut 2.44 x 34.3 m	\$126.00	\$110.25	\$97.65
P42 Turf Reinforcement Mat 2.44 x 25.7 m	\$494.14	\$432.37	\$382.96
Staples (price per 1000)	\$90.00	\$80.00	\$70.00

CALL FOR QUOTE ON LARGE ORDERS.
PRICES SUBJECT TO CHANGE WITHOUT NOTICE

GEOTEXTILE COMMON USE

March 25, 2019 Prices & Sizes

TERRAFIX 270R

Non woven, filtration and drainage 4 - 8" rip rap, covering catch basin everyday use, separating granular materials, limited strengths stretch to follow contour, Gabon walls and ditch lining. This is most commonly specified.

TERRAFIX 360R

Non woven, filtration and drainage limited reinforcement Class 2 MTO 8 - 12" rip rap broken concrete, channel lining and creeks

TERRAFIX 420R

Non woven, filtration and drainage limited reinforcement 12 - 24" rip rap, lighter coastal applications & rivers. Heaviest non-woven stock. Heavier available by special order.

TERRAFIX 24.15

Woven, provides separation and reinforcement for residential lanes and light commercial parking. Car & pick-up traffic only.

TERRAFIX 200W

Woven, provides separation and reinforcement for industrial yards and farm lane applications. Heavy truck parking lots.

TERRAFIX 400W

Woven, provides separation and reinforcement for logging roads and municipal roads. Sever service, only if specified.

GEOTEXTILE

March 25, 2019 Prices and Sizes

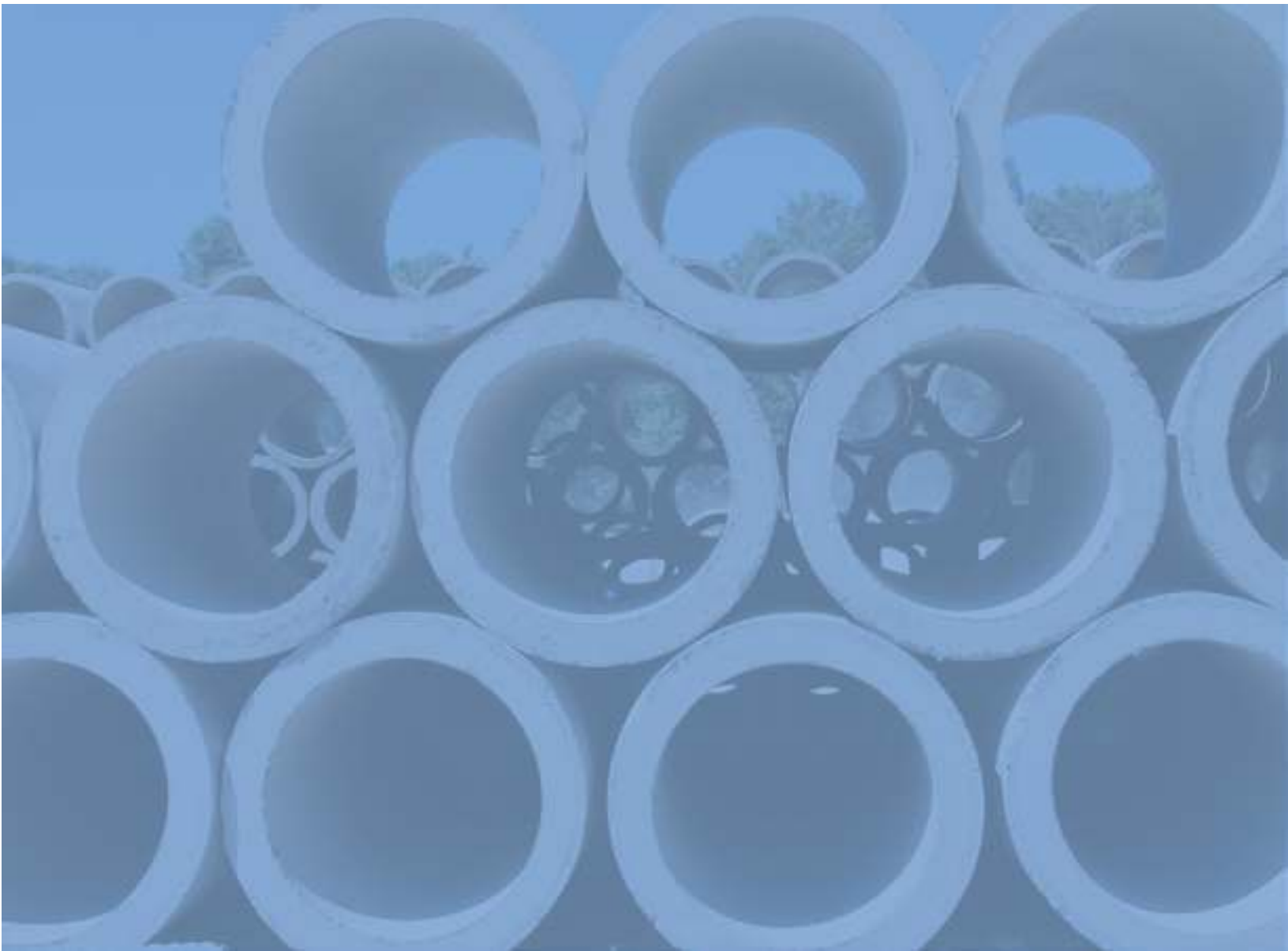
PRICES PER ROLL

PRICES PER SQ. M.	ROLL SIZE	CONTRACTOR PRICING		
		1-4 ROLLS	5-9 ROLLS	OVER 10 ROLLS
Terrafix 270R	4.57 x 110m	\$512.75	\$497.68	\$477.57
	3.5 x 100m	\$378.00	\$364.00	\$353.50
Terrafix 360R	4.57 x 91.44m	\$585.03	\$564.14	\$547.43
Terrafix 420R	4.57 x 91.44m	\$777.26	\$752.19	\$727.12
Terrafix 24.15W	3.81 x 132m	\$573.33	\$558.24	\$538.13
Terrafix 200W	3.81 x 132m	\$643.74	\$623.62	\$598.48
Terrafix 400W	3.81 x 110m	\$565.79	\$549.02	\$528.07
	5.33 x 79m	\$581.08	\$564.24	\$543.18

PRICES SUBJECT TO CHANGE WITHOUT NOTICE

TERMS AND CONDITIONS OF SALE

- 1: Pricing based upon full truck loads. If individual or partial loads are requested an additional charge may apply.
- 2: All deliveries based on a maximum of 2 hours of waiting time for trucks on-site, additional wait time will be charged as an extra.
- 3: Deviation from noted structure components may result in a change of pricing.
- 4: Be advised that no cast iron cover, no access hatch, no grade adjustment, nor chimney have been included in this quotation unless noted.
- 5: Pricing not to be used for addition and deletion.
- 6: Price contingent on engineer's approval of modular precast
- 7: No holdback under lien legislation is allowed for in this quotation.
- 8: Coldstream Concrete Ltd. reserves the right to re-price any aspect of the above quotation if there are any alterations to, and/or omissions on the tendering information received.
- 9: A review of access hatch details will be required prior to the production of the chamber, if hatch details effect the design of the precast concrete component an extra may be charged.
- 10: External water-proofing by others
- 11: Contractor Responsible for Off-Loading
- 12: Quotation Firm for 120 Days
- 13: Taxes: Extra
- 14: FOB: Job Site
- 15: Terms: NET 30 days, 3% cash discount on pre-tax invoice amount if payment in full is received by the 25th of the month following; OAC



Coldstream Concrete Limited
402 Quaker Lane, RR2, Ilderton, ON. N0M 2A0
TEL: 519.666.0604 FAX: 519.666.0977

